

Mikado

Massimiliano Raggi



AP



AP SOLO



SO



SO DOUBLE



FL



TA



SPECIFICHE PRODOTTO / PRODUCT SPECIFICS

p.2

MIKADO AP
MIKADO AP SOLO

p.4
p.5

MIKADO SO
MIKADO SO DOUBLE

p.6
p.7

MIKADO FL
MIKADO TA

p.8
p.9

STRUTTURA / FRAME



Ottone satinato
Satin brass

DIFFUSORE / DIFFUSER



Cristallo trasparente inciso
Engraved crystal



Cristallo trasparente prismatic
Prismatic crystal



CAVO - INTERRUPTORE/ CABLE - SWITCH

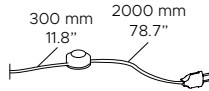
Tessuto nero
Black fabric

TA / TA SOLO

Pulsante a tre intensità sulla base
Three step push switch on the base
L: 200 cm
L: 78.7"

FL

Pulsante dimmerabile a piede
Foot dimmer switch
L: 30 + 200 cm
L: 11.8" + 78.7"

**USA / CABLE - SWITCH**

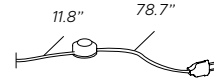
Black cable

TA / TA SOLO

Three step push switch on the base
L: 78.7"

FL

Foot dimmer switch
L: 11.8" + 78.7"

**FONTE LUMINOSA / LIGHT SOURCE****220-240V**

○ Custom LED

AP

4 X 5W
2.240 Lm nominal/nominal
3.000 °K; CRI: >90

AP SOLO

2 X 4W
1.120 Lm nominal/nominal
3.000 °K; CRI: >90

SO / FL

10 X 5W
5.600 Lm nominal/nominal
3.000 °K; CRI: >90

SO DOUBLE

20 X 5W
11.200 Lm nominal/nominal
3.000 °K; CRI: >90

TA

6 X 5W
3.360 Lm nominal/nominal
3.000 °K; CRI: >90

DIMMERABILE / DIMMABLE**TA**

Dimmerabile a tre livelli di intensità (100 - 70 - 30%)
Dimmable with three intensity levels (100 - 70 - 30%)

FL

Dimmerabile a piede
Dimmable with foot control

AP / SO

Compatibili con sistemi di controllo remoto
Compatible with remote control systems



□ Mikado FL e TA

110V

○ Custom LED

AP

4 X 5W
2.240 Lm nominal
3.000 °K; CRI: >90

AP SOLO

2 X 4W
1.120 Lm nominal
3.000 °K; CRI: >90

SO / FL

10 X 5W
5.600 Lm nominal
3.000 °K; CRI: >90

SO DOUBLE

20 X 5W
11.200 Lm nominal
3.000 °K; CRI: >90

TA

6 X 5W
3.360 Lm nominal
3.000 °K; CRI: >90

DIMMABLE**TA**

Dimmable with three intensity levels (100 - 70 - 30%)

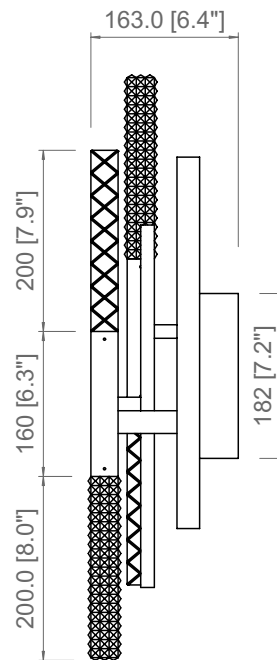
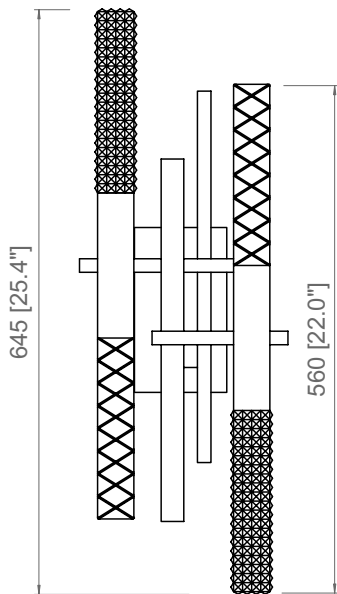
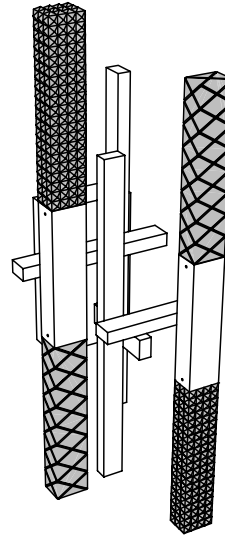
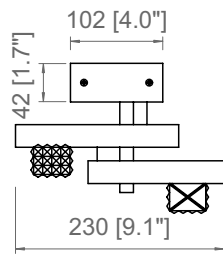
FL

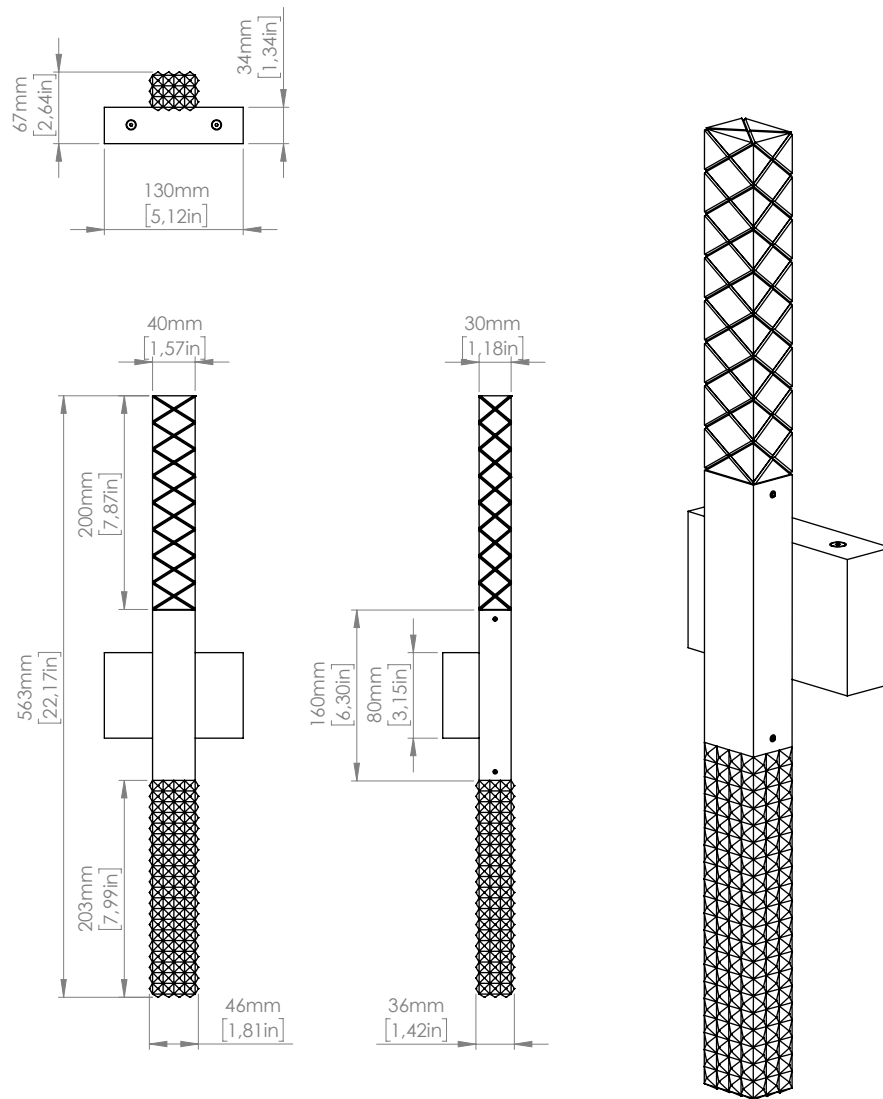
Dimmable with foot control

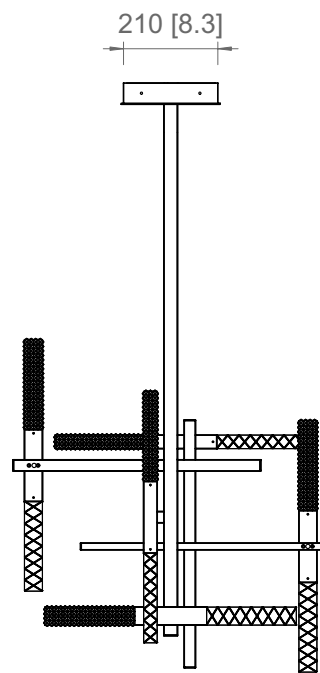
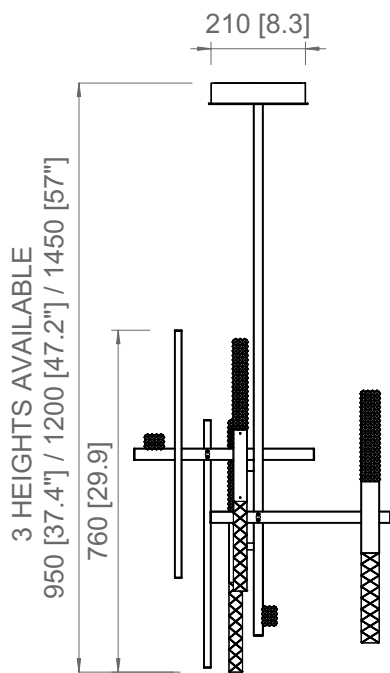
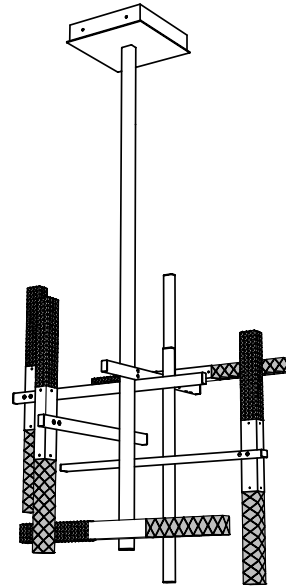
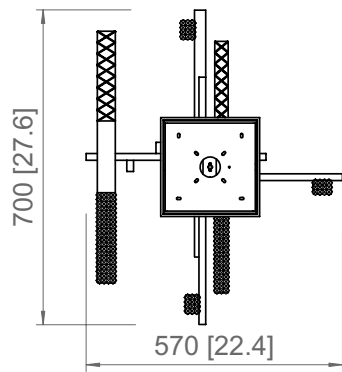
AP / SO

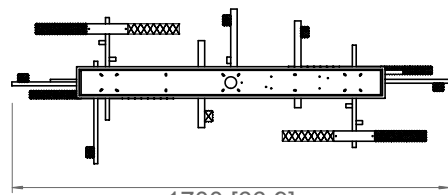
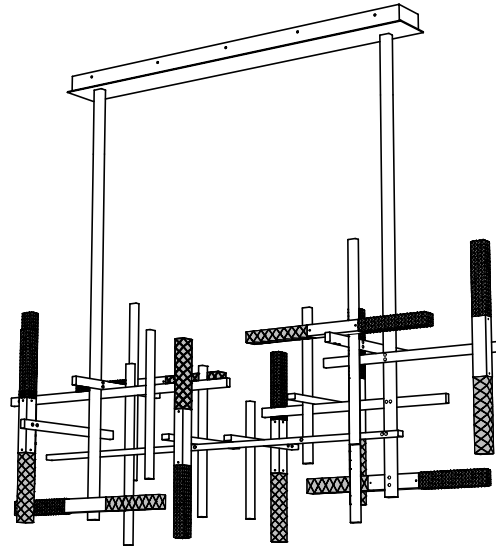
Compatible with remote control systems



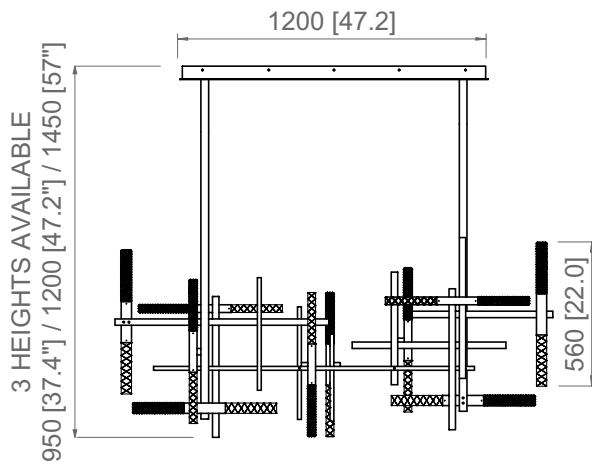








1700 [66.9]

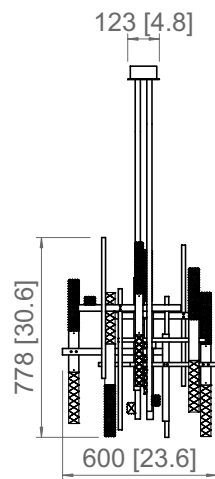


3 HEIGHTS AVAILABLE

950 [37.4] / 1200 [47.2] / 1450 [57.1]

1200 [47.2]

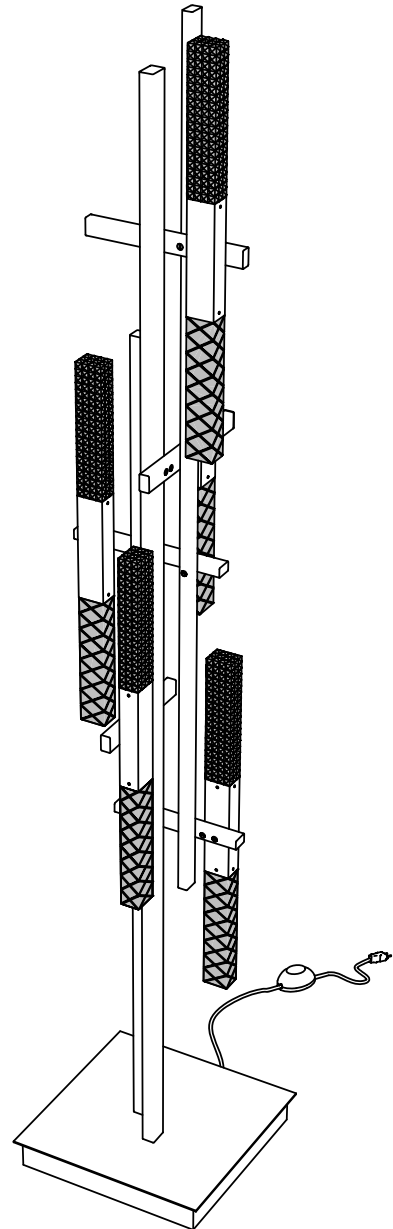
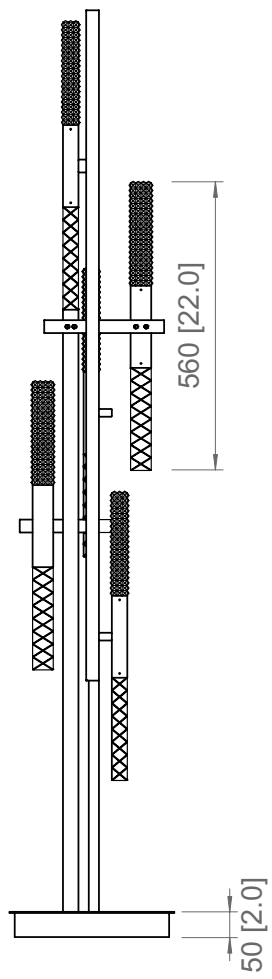
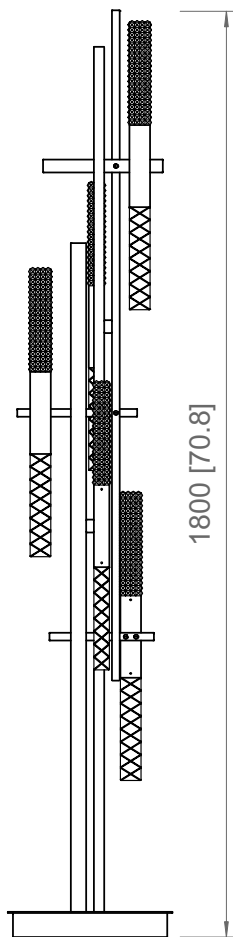
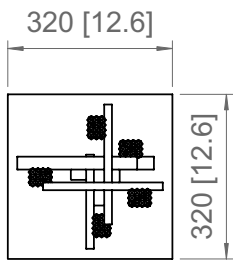
560 [22.0]

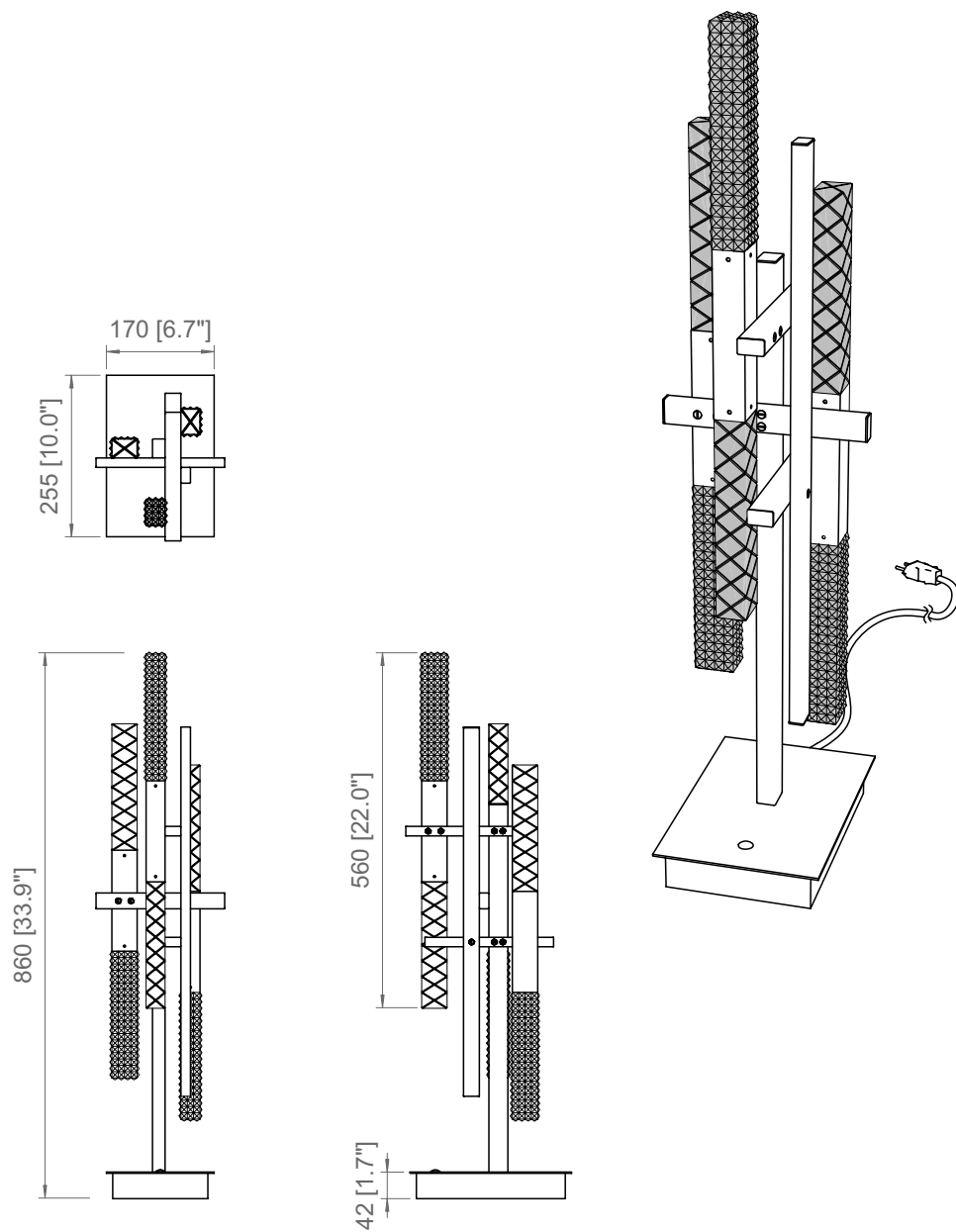


778 [30.6]

600 [23.6]

123 [4.8]





Copyright and/or design rights subsist in this drawing. No part of this drawing may be reproduced in any material form (including photocopying or storing in any medium electronic means, whether or not intentionally and whether or not as part or a larger publication) without the express permission of the copyright owner, Contardi Lighting S.r.l.. Further and without prejudice to the above, this drawing and all information relating thereto is confidential, and shall not be communicated to a third party without the consent of Contardi lighting srl. Contardi lighting srl asserts all rights to be identified as the author of the work and otherwise.

WARNING: The doing of any unauthorised act in relation to a copyright work may result in both a civil claim for damages and criminal prosecution.

CONTARDI LIGHTING Srl

ITALY HEADQUARTERS

www.contardi-italia.com / sales@contardi-italia.it

CONTARDI USA Inc

USA BRANCH

www.contardi-usa.com / sales@contardi-usa.com